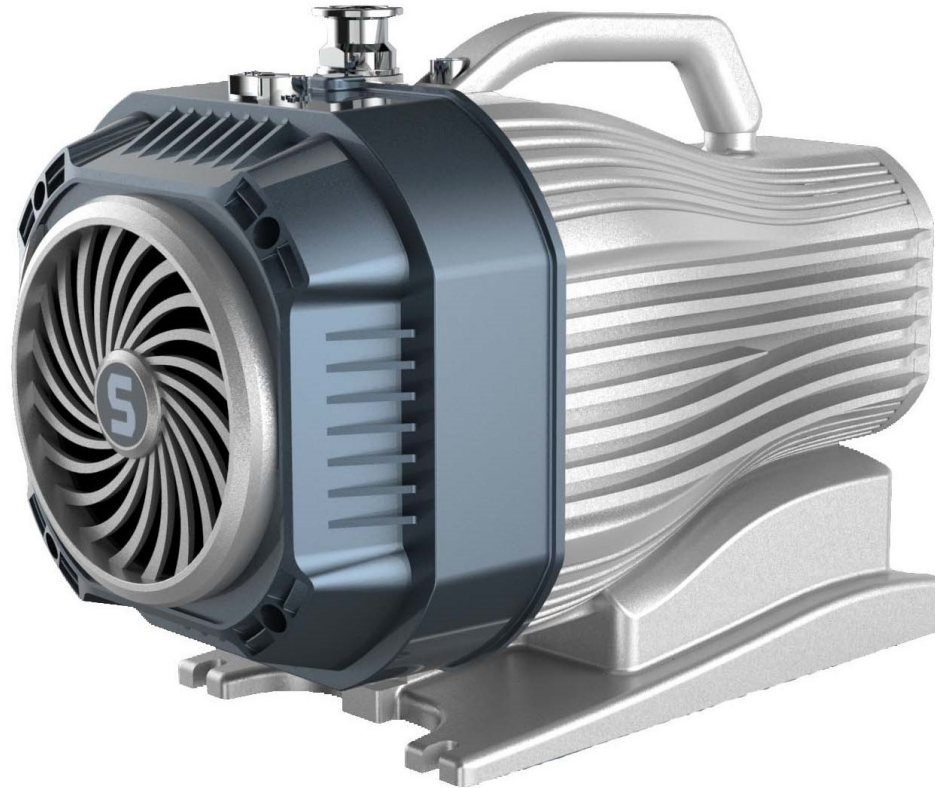


# Vacuum Pumps America Inc.

## Hermetically Sealed Dry Scroll Vacuum Pumps



### Features:

- Our VPA-HSC Dry Scroll Vacuum Pumps are hermetically sealed and suitable for any application that needs dry and clean vacuum.
- Supreme quality product by using high quality materials and excellent design. Chemically protected against corrosion by using Anodized Aluminum alloys.
- Excellent ultimate vacuum and pumping speed in its class.
- Low noise and low vibration.
- Universal Single-phase motor can work with 110V or 230V, 50/60Hz for continuous performance.
- Integrated gas ballast permits pumping condensable vapors.
- Compact and lightweight design permits simple integration into your new or existing vacuum system.
- Our easy maintenance design makes field maintenance easy for our customers.
- For more information and pricing, Please contact: [sales@vpamerica.com](mailto:sales@vpamerica.com) or Call us @ 1-416-407-0350

## Technical Specifications:

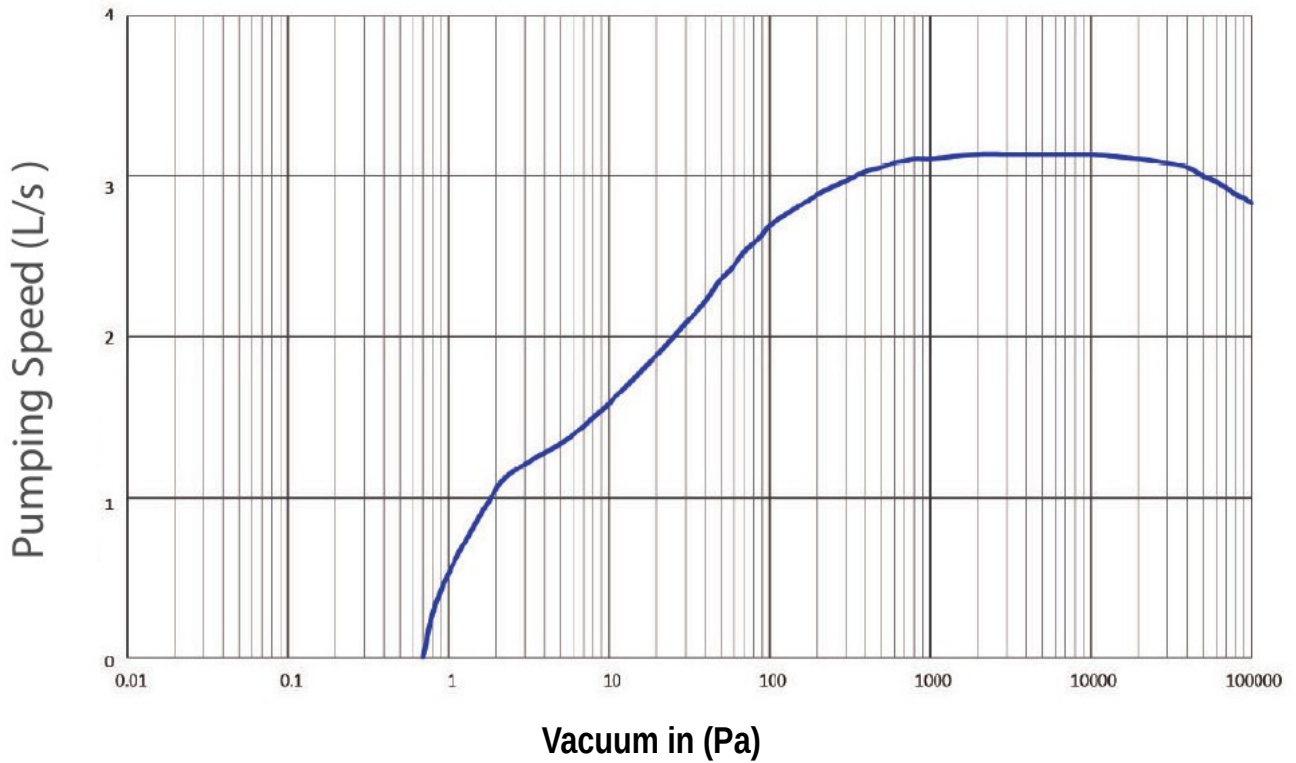
Model			VPA-HSC12	VPA-HSC18
Displacement	60Hz	m <sup>3</sup> /h	12	18
		cfm	7	10
Ultimate Pressure with Gas Ballast Closed		mbar	0.008	0.05
		Torr	0.006	0.037
Noise Level		dB(A)	54	54
Maximum Water Vapor Pumping Rate		g/h	100	210
Leakage		mbar·l/s	<1×10 <sup>-6</sup>	
Max. Inlet/Exhaust Pressure		mbar	1100 to 1130	
Ambient Operation Temp.		°C /°F	10°C to 40°C / 41°F to 104°F	
Cooling Type		Air cooled		
Inlet/Exhaust Flange			KF25	KF25
Motor 1 phase	Motor Power	kW	0.4	0.4
	Voltage	VAC	110 / 230	110 / 230
	Speed	rpm	1800 @ 60 Hz	1800 @ 60 Hz
	Connector		North America	North America
Dimensions	1 phase	mm	430 x 225 x290 (L x W x H)	430 x 225 x290 (L x W x H)
Net Weight	1 phase	kg	28	29
Gas Ballast			Yes	

Pharmaceutical Processes, Freeze drying, gel dryer, Distillation, purification, filtration, Lithium ion battery process, Hydrogen fuel cell process, Capacitor exhaust, Cryopump regeneration, Coating PVD/CVD/PLD, LED, LCD, Laser tube, Vacuum oven, E-beam Laser melting, Glove box, Load lock transfer chambers, Helium Leak detection, Special gas recovery recirculation, Molecular pump backing, Space environment animation, Surface analysis instruments, Spectroscopy scanning electron microscopy, Autoclaves, Automotive, Backing pump for high vacuum pumps, Backing for Turbomolecular Pumps, Brazing, Casting, Laboratories, Central Vacuum Systems, Debinderization, Degassers, Degassing, Drying, Drying Chambers, Evacuating of Refrigeration Systems, Evacuation of Process Chambers, Forming, Food Processing, Food Industry, Food Packaging, Fermentation, Heat Treatment, Laboratory, Leak Detection of dry systems, Light Bulb Manufacturing, Liquid Gas Storage, Metallurgy, Metals Processing, Packaging, PET Processing, Physical Vapour Deposition PVD Coating Systems, Physics Laboratories, Potting, Research & Development, Roll Coating, Crystal Growing, Vacuum Coating, Vacuum Furnaces, Vacuum Heat Treating, Vacuum Melting, Vacuum Metalizing, Vacuum Packaging, Vacuum Metallurgy and more.

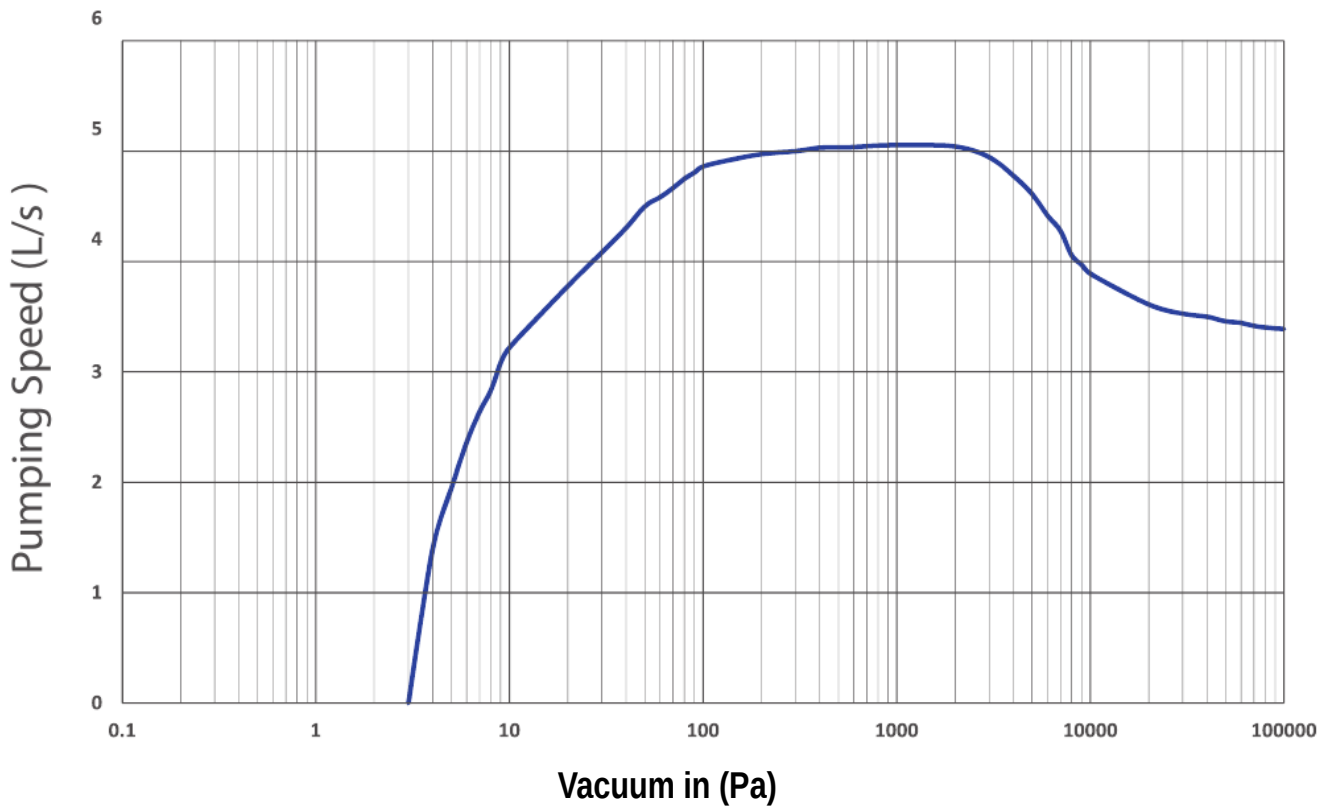
For more information and pricing, Please contact: [sales@vpamerica.com](mailto:sales@vpamerica.com) or Call us @ 1-416-407-0350.

## Pumping Speed Curves:

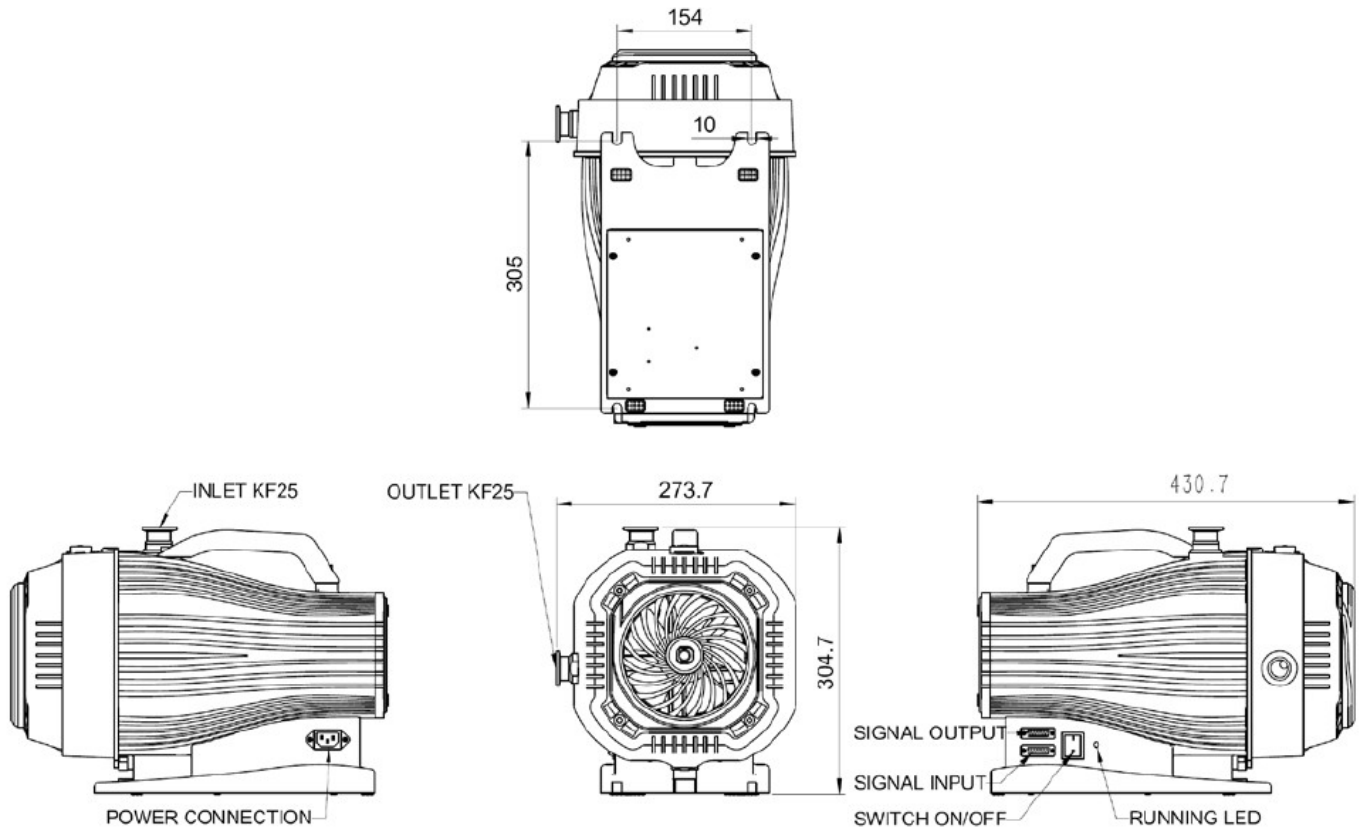
### Pumping Speed Curves for VPA-HSC12 Dry Scroll Vacuum Pump



### Pumping Speed Curves for VPA-HSC18 Dry Scroll Vacuum Pump



## Dimensional Drawing for VPA-HSC12 and VPA-HSC18



For more information and pricing, Please contact: [sales@vpamerica.com](mailto:sales@vpamerica.com) or Call us @ 1-416-407-0350.