

Vacuum Pumps America Inc.

Dry Screw Vacuum Pump VSS Series



VPA-VSS60Ex






VPA-VSS60Ex



VPA-VSS100

Features of VSS Dry Screw Vacuum Pumps:

- Rugged and Robust design. Capable of handling all types of gases, vapors and solvents.
- Capable of handling gases in radiation area like: Particle accelerators, Nuclear Waste Management and Tritium Handling
- Reduced discharge temperature greatly and close to T4 requirement for ATEX versions. 
- Small foot print, compact design and proven quality.
- Low noise and vibration level due to completely balanced screws.
- No use of Oil or Water as pumping medium, low operation costs.
- No oil back migration and no oil back streaming.
- Advanced elevated cantilever design for Screw rotors that doesn't let the bearings and seals come in contact with gases, vapors and even liquids.
- High Performance and High Efficiency.
- Short gas path through the pump makes quick gas discharge.
- Simple design results easy maintenance.
- Different internal coatings available based on application like Teflon, PFA and Hardened Screws for Harsh and Dusty applications.
- VPA-VSS Vertical Dry Screw Vacuum Pumps are available with TEFC, Water cooled, ATEX  and Explosion Proof  motors at different voltages like 3 phase motors at 380V, 400V, 415V, 460V and 575V @ 50/60Hz are available with UL, CSA and CE approvals
- VPA-VSS Dry Screw Vacuum Pumps can handle all types of petrochemical vapors, solvents and biologic vapors like: Acetone, Bio Diesel, Butane, Isobutene, Propane, Dimethyl Ether DME, Difluoroethane HFC, Tetrafluoroethane, Pentane, Carbon Dioxide, Methylated spirits, Methanol, Ethanol, Propanol, Xylene, Toluene, Methyl Ethyl Ketone, Alcohols, Benzene, etc...
- VPA-VSS Dry Screw vacuum Pumps are completely adapted to Pharmaceutical, Chemical, Food and Radiation, applications.
- Standard 3 phase motors at 380V, 400V, 415V, 460V and 575V @ 50/60Hz are available with UL, CSA and CE approvals for all VPA-VSS Vertical Dry Screw Vacuum Pumps.

e-mail: sales@vpamerica.com , Phone: 416-407-0350

Specifications of VPA-VSS Vertical Dry Screw Vacuum Pumps:








Model	Pumping Speed L/min m ³ /h CFM	Ultimate Pressure Torr	Power (kW) 60Hz	Rotational Speed (min ⁻¹)	Port Size Quick Clamp KF		Oil Capacity (L)	Cooling Water (L/ min)	Weight (kg) pump only
					Inlet/Outlet				
VPA-VSS50	840 50 29.5	1 x 10 ⁻³	3.7	6000	KF50	KF40	2.5	1.5	170
VPA-VSS60	1000 60 35.5	1 x 10 ⁻³	3.7	6000	KF50	KF40	2.5	1.5	170
VPA-VSS90	1500 90 53	1 x 10 ⁻³	5.5	5000	KF50	KF40	3	2.5 to 3	260
VPA-VSS100	1666 100 59	1 x 10 ⁻³	5.5	5000	KF50	KF40	3	2.5 to 3	260
VPA-VSS300	5000 300 177	1 x 10 ⁻³	15	5000	NW63	NW63	6	12 to 16	450
VPA-VSS400	6666 400 236	1 x 10 ⁻³	15	5000	NW63	NW63	6	12 to 16	450

*Specifications are subjected to change without notice to improve product quality.

** To convert m³/h to CFM, divide by 1.69

Example: 100 m³/h ÷ 1.69= 72CFM

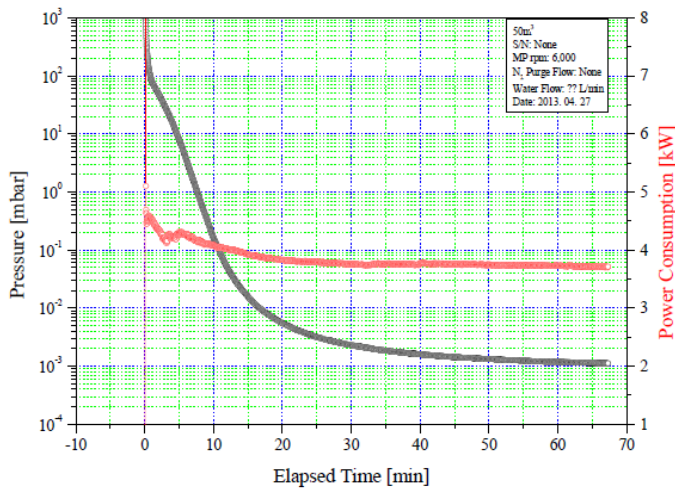
Applications of VPA-VSS Vertical Dry Screw Vacuum Pumps:

Autoclaves
Automotive
Backing pump for high vacuum pumps
Brake Fluid Filling Systems
Brazing
Casting
Chemical Distillation 
Chemical Processing 
Chemical Laboratories 
Chemical Vapor Deposition
CVD Coating Systems
Central Vacuum Systems 
Debinderization
Degassers 
Degassing 
Drying 
Drying Chambers
Evacuating of Refrigeration Systems

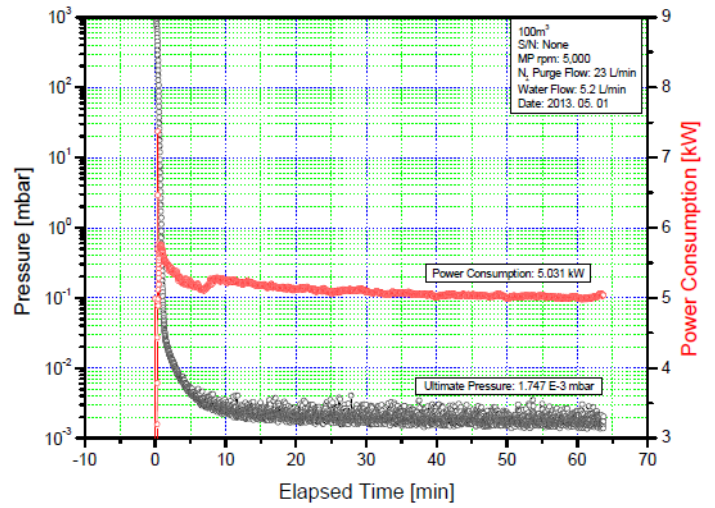
Evacuation of Process chambers 
Forming
Food Processing
Food Industry
Fermentation
Freeze Drying
Hazardous area 
Heat Treatment
Heat Exchanger Drying in Power Plants
Hazardous Area 
Impregnating 
Investment Casting 
Impregnation Laboratory
Leak Detection of dry systems
Light Bulb Manufacturing
Liquid Gas Storage
Metallurgy
Metals Processing
Oil Degassers 

Nuclear Waste Management
Packaging
PET Processing
Pharmaceutical Processes 
Physical Vapour Deposition PVD
Coating Systems
Physics Laboratories
Potting
Research & Development
Refineries 
Roll Coating
Silicon Crystal Growing
Sintering
Solvent Recovery 
Solvent handling 
Transformer Drying 
Vacuum Coating
Vacuum Furnaces
Vacuum Heat Treating
Vacuum Melting
Vacuum Metalizing
Vacuum Packaging
Vacuum Metallurgy
e-mail: sales@vpamerica.com,
Phone: 416-407-0350

Performance curves:

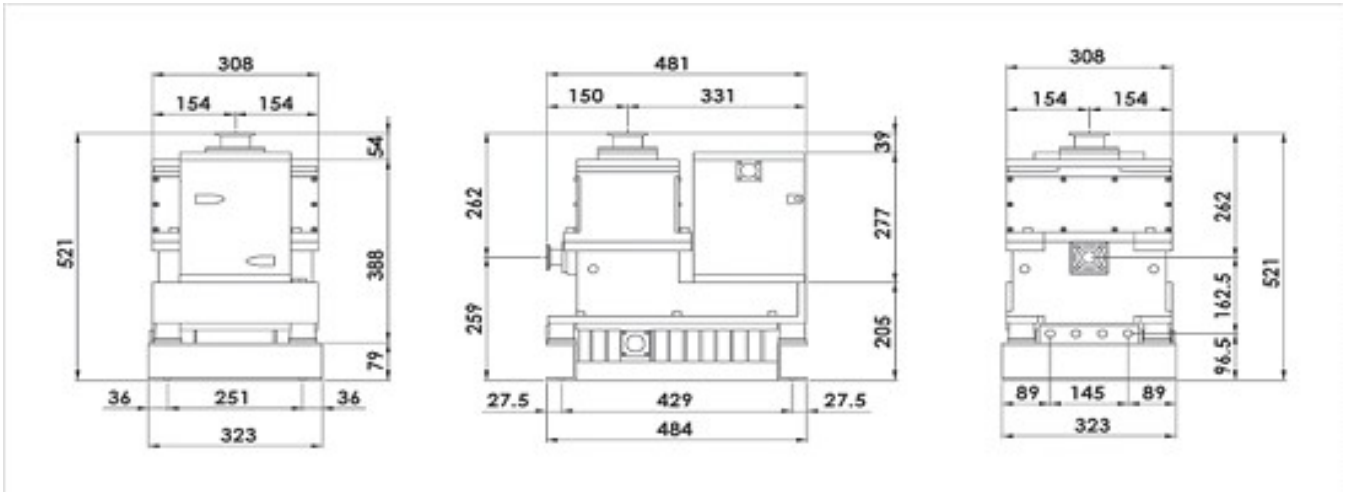


Pumping Speed & Power Consumption curves for VPA-VSS50

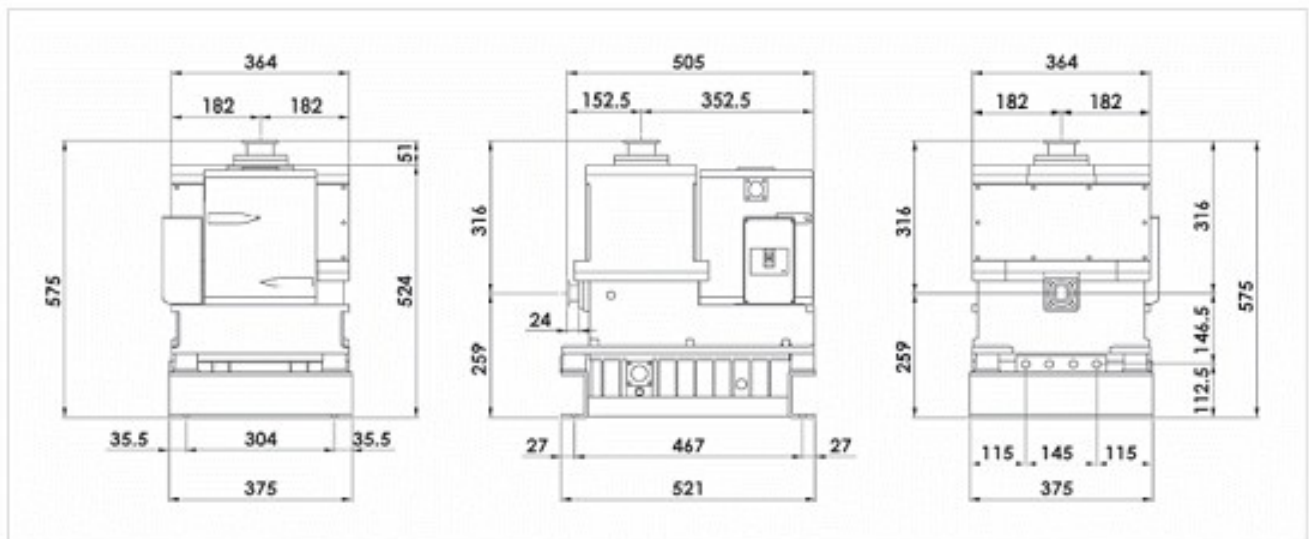


Pumping Speed & Power Consumption curves for VPA-VSS100

Dimensions:



Dimensions of VPA-VSS60

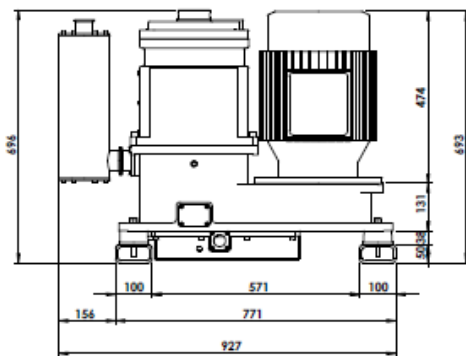


Dimensions of VPA-VSS100

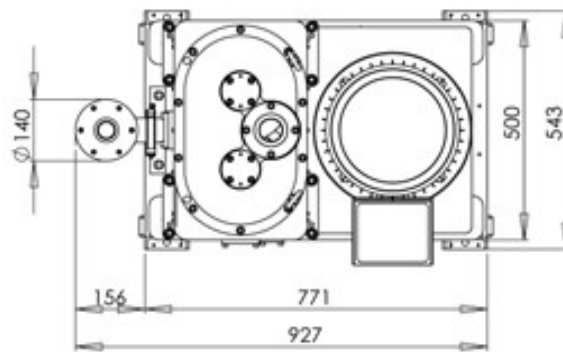
*Height of the motor can be changed by use of different types of motors.

**All dimensions are in millimeter.

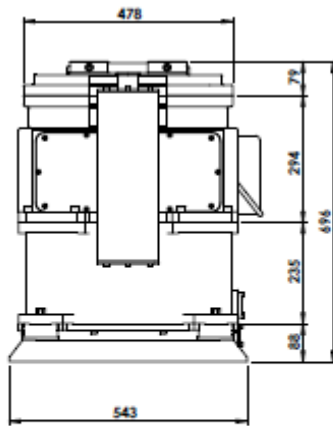
e-mail: sales@vpamerica.com, Phone: 416-407-0350



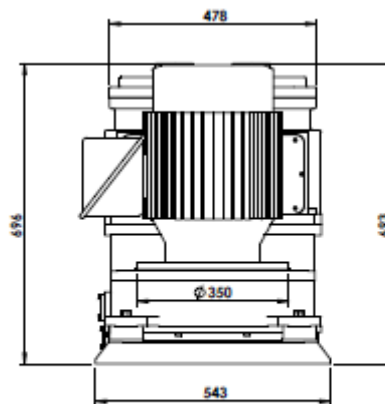
FRONT VIEW
SCALE 1:10



TOP VIEW
SCALE 1:10



LEFT SIDE VIEW
SCALE 1:10



RIGHT SIDE VIEW
SCALE 1:10



Dimensions of VPA-VSS400

*Height of the motor can be changed by use of different types of motors.

**All dimensions are in millimeter.

e-mail: sales@vpamerica.com, Phone: 416-407-0350

Different types of motors are available for VPA-VSS Vertical Dry Screw Vacuum Pumps as follows:

- Conventional TEFC Air Cooled
- TEFC Water Cooled
- ATEX 
- Energy efficient
- Explosion proof 
- Wash down
- All the above Motors are compatible with CE, CSA standards.

e-mail: sales@vpamerica.com, Phone: 416-407-0350